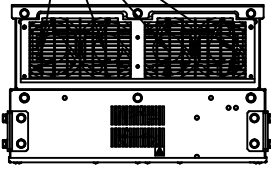
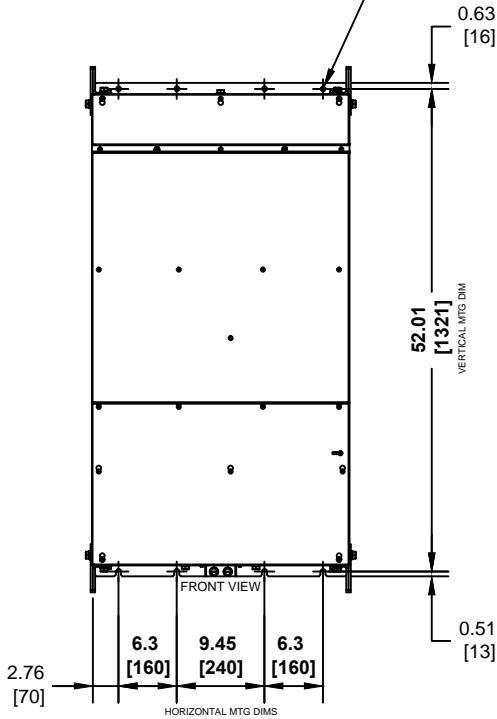


(4) EXTERNAL COOLING FANS

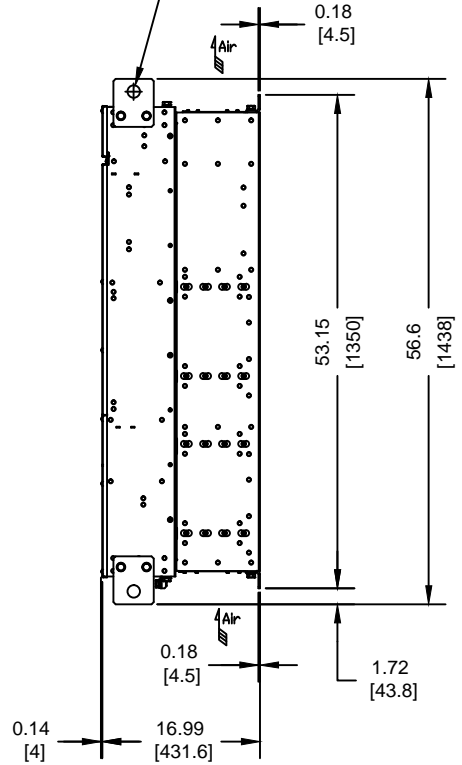


NOTE:
SPREADER BAR REQUIRED TO AVOID DAMAGE DURING LIFTING

(8)-MOUNTING HOLES FOR 1/2" [M12] SCREWS

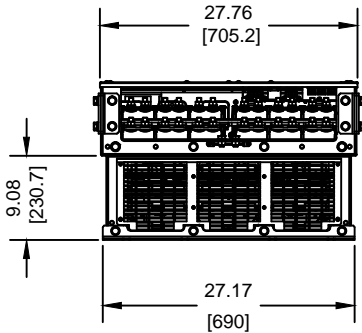


(4)-LIFTING HOLES Ø1.38 [Ø35]



USE EUJ71180# WITH DRIVE MODEL NUMBER CIMR- **4□0720A□□
 USE EUJ71181# WITH DRIVE MODEL NUMBER CIMR- **4□0900A□□
 USE EUJ71182# WITH DRIVE MODEL NUMBER CIMR- **4□0930A□□

NOTES:
 □ DENOTES A-Z
 ** DENOTES UU, UW, OR ZU



MODEL NO.	VOLTAGE 3-PHASE (VAC)	OUTPUT CURRENT (A)		WEIGHT LBS (Kg)	HEAT LOSS (W)					
		ND	HD		ND (Fc=3kHz)			HD (Fc=3kHz)		
					INT	EXT	TOT	INT	EXT	TOT
EUJ71180#	380/500	655	537	761 (345)	27	3268	3295	27	2411	2438
EUJ71181#		819	655	761 (345)	27	3934	3961	27	2778	2805
EUJ71182#		846	819	761 (345)	27	4149	4176	27	3934	3961

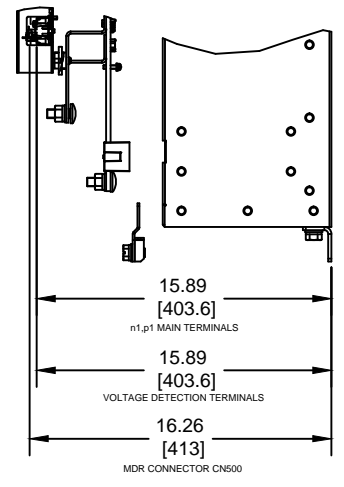
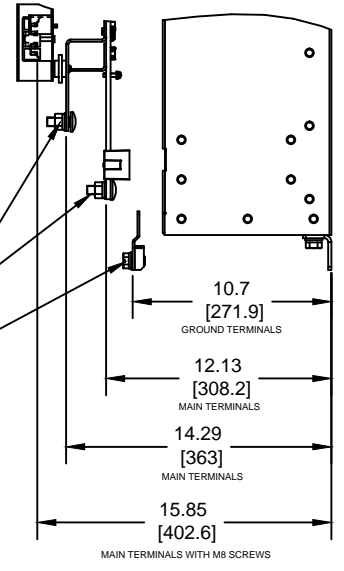
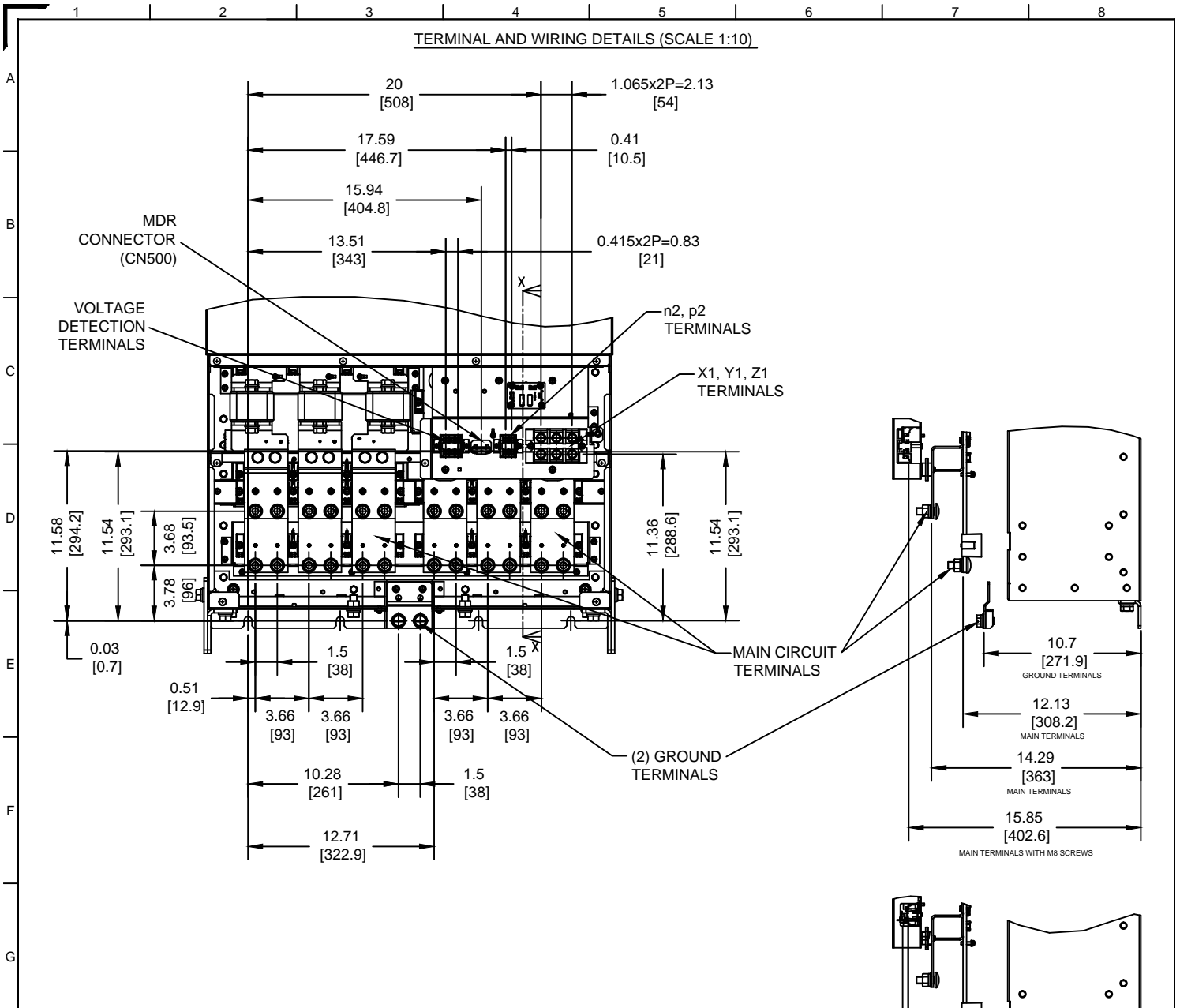
NOTE:
DENOTES 0-9

INT=INTERNAL COMPONENTS
 EXT=EXTERNAL HEATSINK
 TOT=TOTAL

FOR ADDITIONAL DETAILS AND SPECIFICATIONS, CONSULT MANUAL

TOLERANCES / REFERENCES:	YASKAWA		DRAWN:	J. MATTAS	DATE:	10-20-16	TITLE:	U1000 PWM FILTER DIMENSION DRAWING						
			CHECKED:	J. PIOTROWSKI	DATE:	10-27-16	IP00 ENCLOSURE							
UNITS: IN[mm]	SCALE: 1:20	THIS DOCUMENT AND INFORMATION CONTAINED IN IT ARE CONFIDENTIAL, AND CANNOT BE COPIED OR DISCLOSED IN WHOLE OR IN PART WITHOUT THE EXPRESS WRITTEN CONSENT OF YASKAWA AMERICA, INC.			TECH:	J. BORJA	DATE:	11-2-16	SIZE:	A	REVISION:	R01	PAGE:	1 of 3
		APPROVED:	J. CAIRO	DATE:	11-16-16	ORIGINAL DESIGN:	-	DATE:	-	DRAWING #:			DD.EUJ7118XX	

TERMINAL AND WIRING DETAILS (SCALE 1:10)



TERMINAL AND WIRE SPECIFICATIONS FOR
MAIN CIRCUIT AND GROUND

MODEL NO.	TERMINAL SYMBOL	TERMINAL SCREW	CLAMPING TORQUE lb.in.(N.m.)
EUJ71180#	R/L1, S/L2, T/L3	M12	278 TO 347 (31.4 TO 39.2)
	X, Y, Z		
EUJ71181#	Ⓢ	M8	47.8 TO 53.0 (5.4 TO 6.0)
EUJ71182#	X1, Y1, Z1		
	r1, s1, t1	M4	10.4 TO 17.4 (1.2 TO 2.0)
	p2, n2		

NOTE: REFER TO APPLICABLE CODES FOR PROPER WIRE TYPE AND SIZE

TOLERANCES / REFERENCES:

YASKAWA

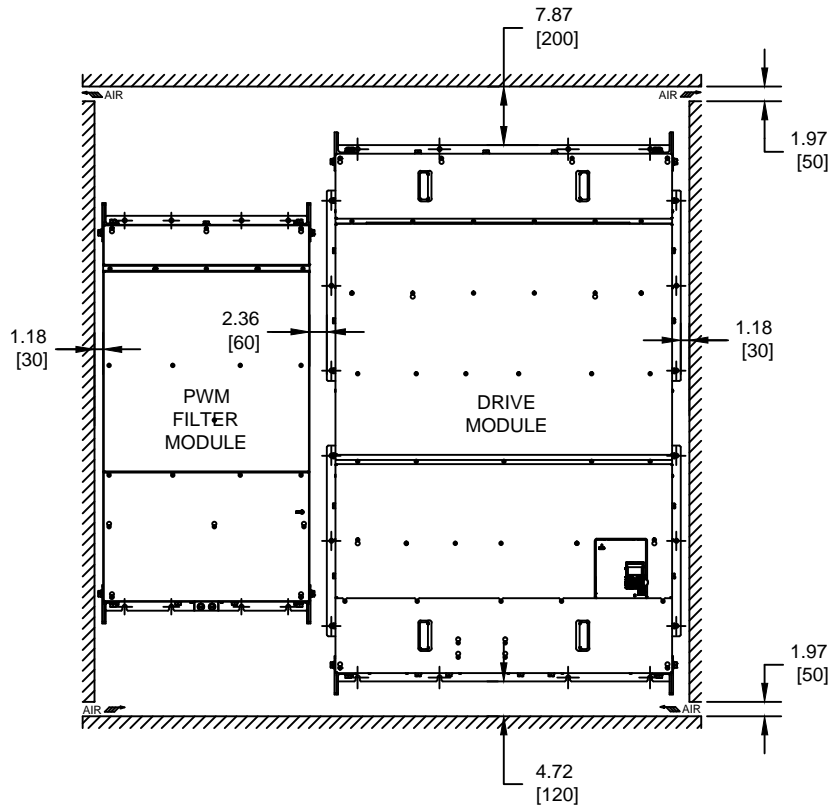
THIS DOCUMENT AND INFORMATION CONTAINED IN IT ARE CONFIDENTIAL, AND CANNOT BE COPIED OR DISCLOSED IN WHOLE OR IN PART WITHOUT THE EXPRESS WRITTEN CONSENT OF YASKAWA AMERICA, INC.

DRAWN:	J. MATTAS	DATE:	10-20-16
CHECKED:	J. PIOTROWSKI	DATE:	10-27-16
TECH:	J. BORJA	DATE:	11-2-16
APPROVED:	J. CAIRO	DATE:	11-16-16
ORIGINAL DESIGN:	-	DATE:	-

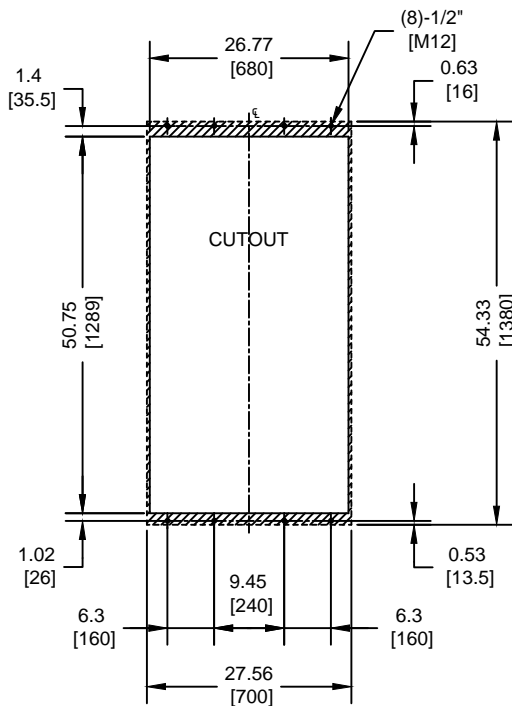
TITLE:		
U1000 PWM FILTER		
DIMENSION DRAWING		
IP00 ENCLOSURE		
EUJ71180#, EUJ71181#, EUJ71182#		
SIZE:	REVISION:	PAGE:
A	R01	2 of 3
DRAWING #:		
DD.EUJ7118XX		

UNITS: IN[mm]
SCALE: BY VIEW

MINIMUM INSTALLATION CLEARANCES (SCALE 1:25)



PANEL CUTOUT FOR EXTERNAL HEATSINK MOUNTING CONFIGURATION (SCALE 1:25)



NOTES:

- CUTOUT DETAIL IS FOR PWM FILTER MODULE ONLY
- CUTOUT TOLERANCE: ± 0.02 " [± 0.5 MM]
- EXPOSED HEATSINK RECOMMENDED CLEARANCE D=9.84" MINUS PANEL THICKNESS

FOR ADDITIONAL DETAILS AND SPECIFICATIONS, CONSULT MANUAL

TOLERANCES / REFERENCES:		YASKAWA	DRAWN:	J. MATTAS	DATE:	10-20-16	TITLE:		
			TECH:	J. BORJA	DATE:	11-2-16	U1000 PWM FILTER DIMENSION DRAWING		
		APPROVED:		J. CAIRO	DATE:	11-16-16	IP00 ENCLOSURE		
		ORIGINAL DESIGN:		-	DATE:	-	SIZE:	REVISION:	PAGE:
UNITS:	SCALE:	THIS DOCUMENT AND INFORMATION CONTAINED IN IT ARE CONFIDENTIAL, AND CANNOT BE COPIED OR DISCLOSED IN WHOLE OR IN PART WITHOUT THE EXPRESS WRITTEN CONSENT OF YASKAWA AMERICA, INC.		DRAWING #:		EUJ71180#, EUJ71181#, EUJ71182#			
IN[mm]	BY VIEW			DD.EUJ7118XX		A R01 3 of 3			